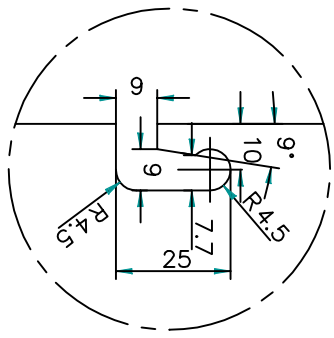


DETAIL B



DETAIL A

C